

AXOR ShowerSolutions
Rough, Trio Diverter 5" x 5" with Shut-Off
 Finishes : Part no. : **36770181**



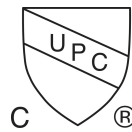
Features

- 2 outlets (no shared function)
- Flow: 10.5 GPM (40.0 L/Min)
- Horizontal or vertical installation
- Quick connection for easy, leak-free installation

Item details

List Price \$ 678.00

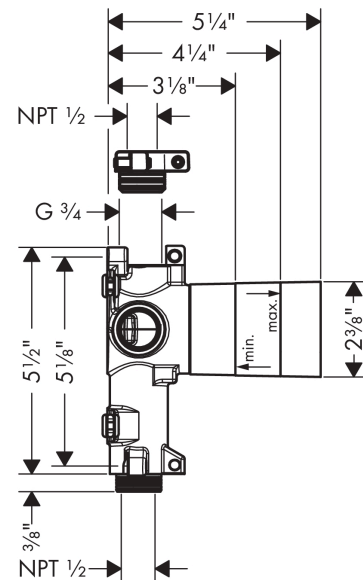
Compliance



Product image



Scale drawing

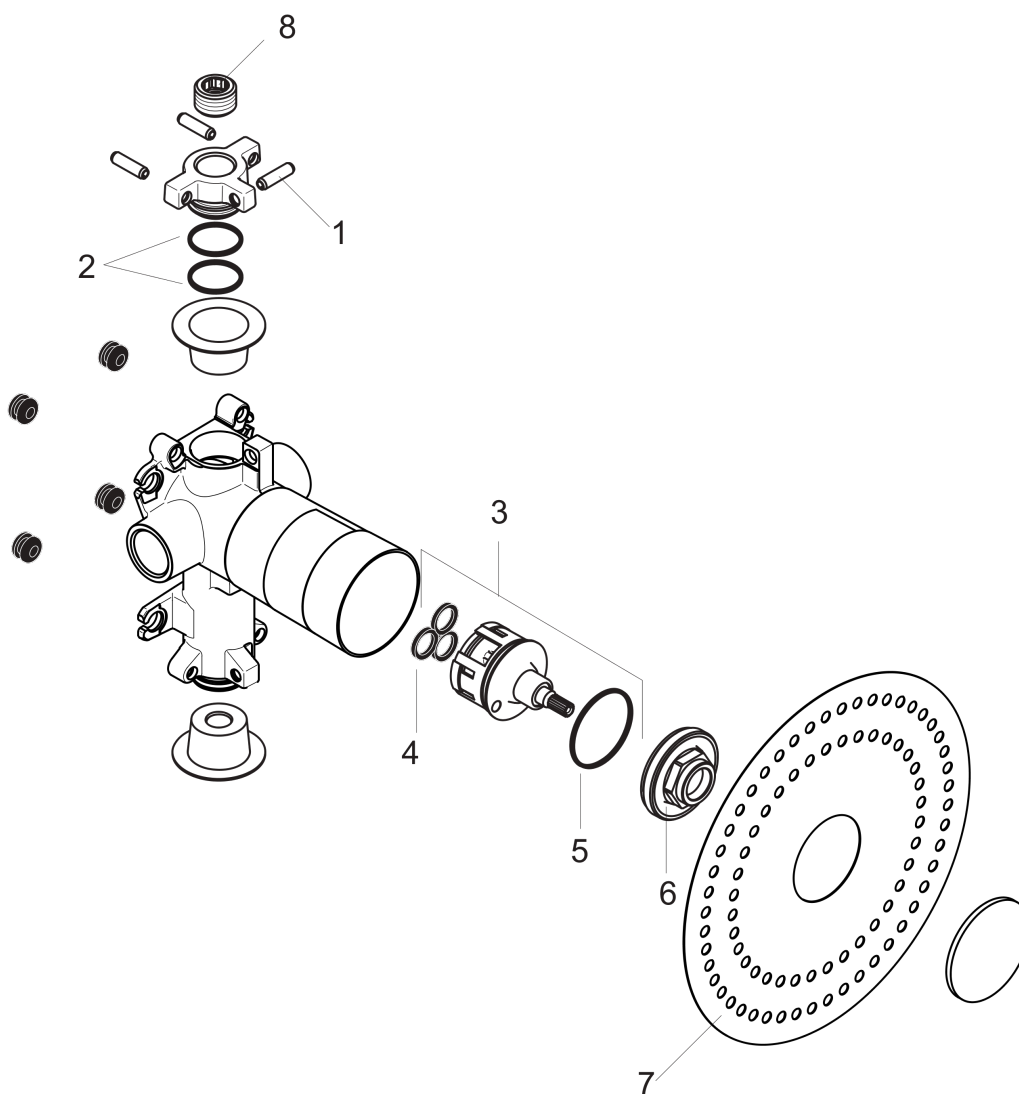


AXOR ShowerSolutions
Rough, Trio Diverter 5" x 5" with Shut-Off
Finishes : Part no. : 36770181



Exploded drawing

Year of production: >01/16



AXOR ShowerSolutions
Rough, Trio Diverter 5" x 5" with Shut-Off
 Finishes : Part no. : **36770181**



Spare parts list

Year of production: >01/16

Pos.		Part no.	Price	PU
1	pin	95334000	-	1
2	O-Ring 23x2,5	98183000	-	1
3	diverter unit	96604000	-	1
4	sealing set	98798000	-	1
5	O-ring 39x2,5	92322000	-	1
6	nut	97550000	-	1
7	sealing foil	96493000	-	1
8	plug	97998001	-	1